

# PROCONVAL

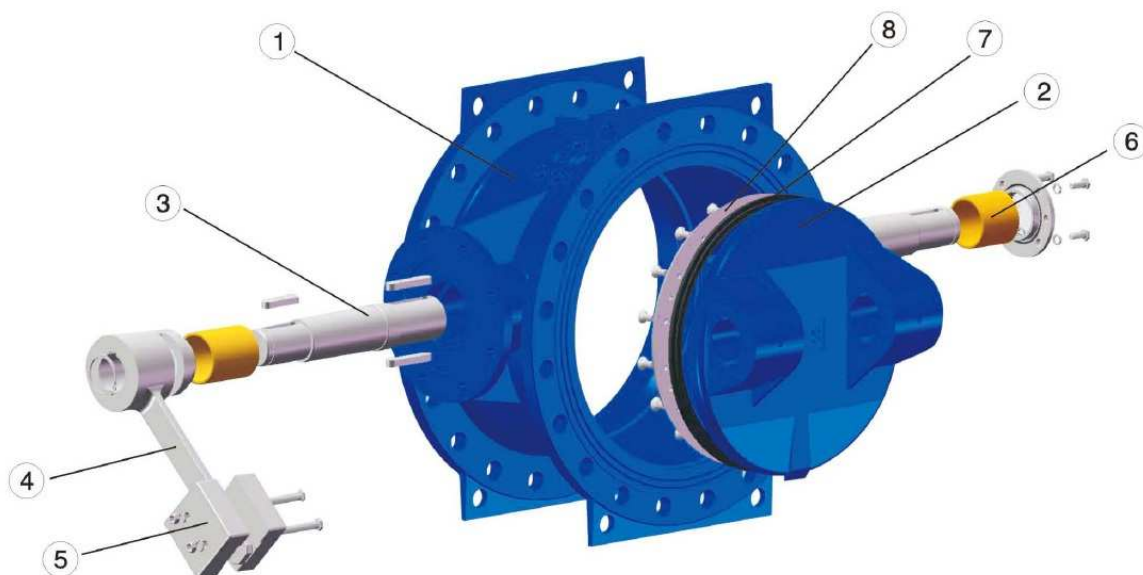
CHECK VALVE

TYPE: PCV-TD



**ProConVal**  
Process Control Valves

Resilient-seated, double offset tilting disc check valve to DIN EN 593  
 Shut-off valve for Sea water and weak acid up to 80°C  
 DN 100 - 1400, PN 10/16  
 Face-to-face length DIN EN 558-1, basic series 14 (DIN 3202, F4)



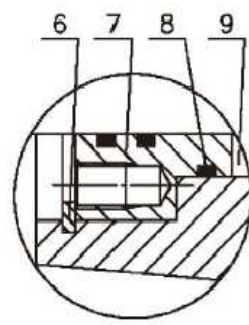
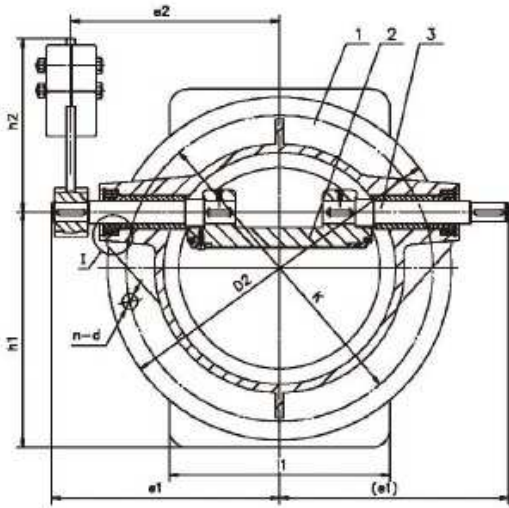
Item	Description	Item	Description
1	Body	8	Retainer ring
2	Disc		
3	Shaft		
4	Lever		
5	Counterweight		
6	Shaft bearing		
7	Disc seat ring		

Corrosion protection:

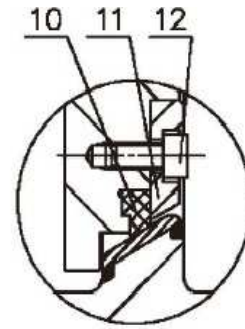
Outside epoxy-coated with GSK type "heavy-duty corrosion protection" acc. to  
 DIN 30 677-2, coating thickness >250 µm,  
 colour: blue

**Product characteristics and advantages**

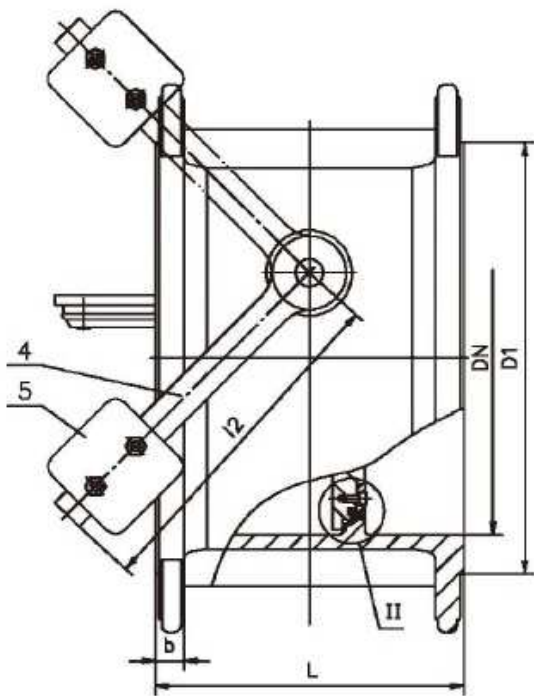
- Double eccentric design
- Design acc.to EN12334
- Double flanged type, flange dimension and drilling acc.to EN1092/ISO5752(DIN2501), or other as request
- Face to face length acc.to EN558-1/ISO5752 series 14(DIN3202 F4)
- Coating: fusion bonded epoxy, or rubber lined for external surface
- Ductile Iron body, or other material as request
- Pressure rating: PN 10/16/25
- Sizes: DN 150 - DN 1400
- Applications: drinking water, sea water, air



I enlarged view



II enlarged view



Dimension PN 10

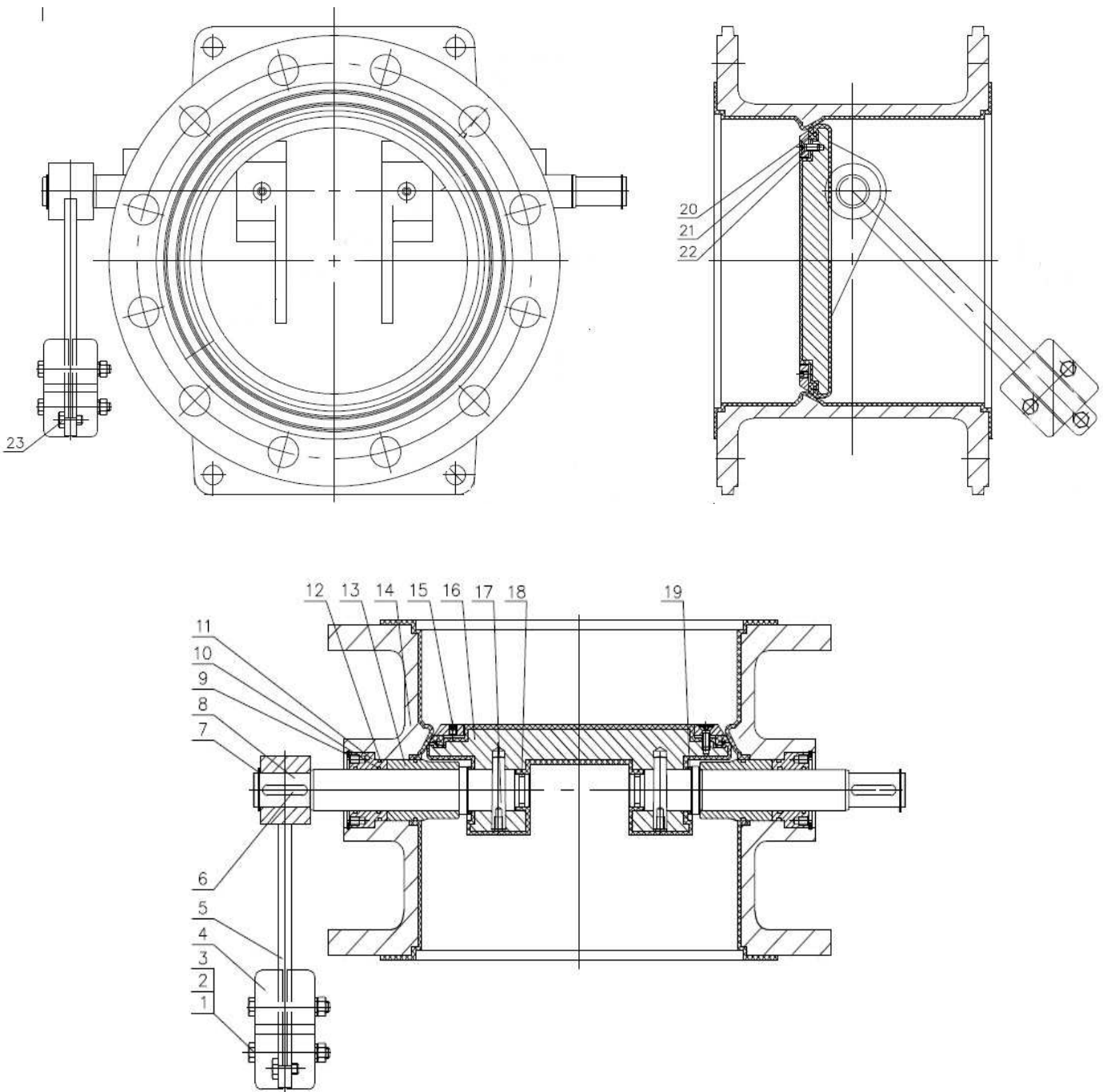
Item	Description	Material
1	Body	Ductile Iron / Rubber lined
2	Disc	Ductile Iron / Rubber lined
3	Shaft	SS420 / Duplex
4	Lever	Ductile Iron
5	Counterweight	GG 25
6	Resilient ring	65MN
7	Seal cover	SS304
8	O Ring	NBR / EPDM
9	Shaft Bearing	AL - Bronze
10	Disc seat	EPDM
11	Retainer Ring	SS304
12	Hex Bolt	SS304

Issue 4/09: Data subject to alteration

DN	L	I1	I2	E1	E2	H1	H2	D2	b	D1	k
100	190		200	192	160	135	189	220	19	156	180
150	210		200	238	206	180	189	285	19	211	240
200	230		200	263	231	220	189	340	20	266	295
250	250		300	313	276	265	280	400	22	319	350
300	270		300	326	289	305	280	455	24	370	400
350	290	250	400	388	346	357	372	505	24	429	460
400	310	370	400	418	376	395	372	565	25	480	515
450	330	430	450	470	420	440	405	615	26	530	565
500	350	475	500	495	453	490	460	670	26	582	620
600	390	570	600	592	540	580	555	780	30	682	725
700	430	590	700	688	623	635	642	895	32.5	794	840
800	470	660	800	715	656	713	735	1015	35	901	950
900	510	680	900	825	740	795	830	1115	37.5	1001	1050
1000	550	700	1000	832	764	890	920	1230	40	1112	1160
1200	630	850	1200	1000	900	1042	1087	1455	45	1328	1380
1400	710	1000	1400	1246	1100	1200	1280	1675	46	1530	1590

Larger sizes on request

Rubber Lined Tilting Disc Check Valve



Item	Description	Material
1	Bolt	8.8
2	Washer	65Mn
3	Nut	8.8
4	Counterweight	GG 25
5	Lever	Q235 welded
6	Key	1.4462
7	Circlip for shaft	65Mn
8	Shaft	1.4462
9	Circlip for hole	65 Mn
10	O Ring	NBR
11	Shaft Cover	Ductile Iron
12	O ring	NBR

Item	Description	Material
13	Shaft bearing	QA19-2
14	Body	GGG+Hard Rubber
15	Screw	1.4462
16	Disc	GGG+Hard Rubber
17	Pin	1.4462
18	O Ring	NBR
19	Sealing gasket	PTFE
20	Disc seal ring	NBR
21	Screw	1.4462
22	Retainer Ring	SS316
23	Bolt	8.8

Dimension as per Data sheet: P254423-2

Process under Control ?

Yes we can !



Quelle der verwendeten Bilder im Prospekt: [www.Fotolia.de](http://www.Fotolia.de)  
Urheber: Eray Haciosmanoglu, Orlando Florin Rosu, erikdegraaf, christian42, Dan Race, Paul Stock, Thaut Images

ProConVal GmbH  
Am Bauhof 22  
D-64807 Dieburg  
Tel +49 (0) 6124 721790  
Fax +49 (0) 700 776266825  
Skype: Proconval  
email : [info@ProConVal.com](mailto:info@ProConVal.com)

ProConVal GmbH  
Engineering Dep.  
Westhafenplatz 1  
D-60327 Frankfurt / Germany  
Tel +49 (0)700  
Fax +49 (0)69 13020642

